

# Ultra-precise Calibrated CT Series



## Overview

Powerside's ultra-precise calibrated shielded split-core CT for PQube® 3 are specifically designed to meet high demanding accuracy applications.

For use with your PQube 3, 3r & 3e current inputs. The split-core CT provides low voltage linear output, proportional to the measured current.

They can be used with all 8 current channels of the PQube 3, and on all 14 current channels of the PQube 3e.

Each CT is individually calibrated to meet or exceed Class 0.2 Revenue grade accuracy.

## Features

- Fully shielded double-insulated cable for noise immunity
- Easy and safe installation, no need to disconnect the line conductor.
- Rated currents 5A to 300A
- Excellent frequency bandwidth, designed for harmonic measurements to 50th harmonic at 50/60 Hz
- Unlike most instruments in the market, the certification combines the PQube 3 and the CT accuracy
- Ultra-accurate certified revenue grade to ANSI C12.20 Class 0.2 and IEC 62053-22 Class 0,2s, IEC 61000-4-7 Class I harmonic accuracy
- UL listed, every CT comes with its own calibration file and NIST-trace certificate
- Connects low voltage signals to the PQube 3 current channel terminals

## SPECIFICATIONS

Rated Current (Full Scale)	5 A to 300 A 5 A, 20 A, 50 A, 100 A, 200 A, 300 A
Nominal Output	0.333 VRMS at rated current
Crest Factor	3.5*
Fundamental Frequency	50 / 60 / 400 Hz
Bandwidth	40 to 3000 Hz Harmonic measurements calibrated to 50th harmonic at 50/60 Hz per IEC 61000-4-7, class I accuracy
Safety	UL recognized File nb E469208
Isolation	600V to earth
Leads	13 ft (4 m) 18 AWG shielded twisted pair Black negative (-), red/white positive (+)

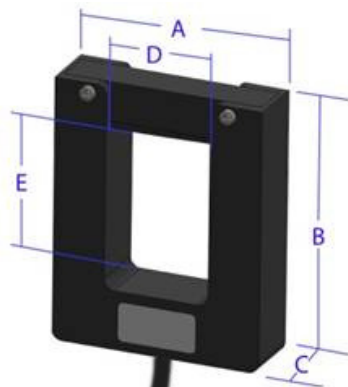
### ACCURACY SPECIFICATIONS

Magnitude Accuracy (±% rdg ±% FS)	±0.05% typical, ±0.1% specification at 50/60 Hz, 2.5% FS to 120% FS Combined CT and PQube 3 accuracy
Angle Accuracy	±0.07° typical ±0.1° specification
Accuracy Certification	ANSI C12.20 Class 0.2 IEC 62053-22 Class 0.2S At 50/60 Hz, 10% FS to 100% FS, Combined CT and PQube 3 accuracy

\* IEC 62053-22 Certified Influence Quantities: Load, Power Factor, Voltage, Ambient Temperature, Frequency, Phase Sequence, Harmonics, Subharmonics, AC magnetic field, DC magnetic field, RF fields, Conducted RF, Fast Transient Burst, Oscillatory impulse

## ORDER INFORMATION

RATED CURRENT	PART NUMBER	DIMENSIONS				
		A	B	C	D	E
5A	SCN3-5A:333mV-0.7 XP	3.08 in (78cm)	2.37 in (60cm)	1.14 in (29cm)	0.7 in (18cm)	0.7 in (18cm)
20A	SCN3-20A:333mV-0.7 XP	3.08 in (78cm)	2.37 in (60cm)	1.14 in (29cm)	0.7 in (18cm)	0.7 in (18cm)
50A	SCN3-50A:333mV-0.7 XP)	3.08 in (78cm)	2.37 in (60cm)	1.14 in (29cm)	0.7 in (18cm)	0.7 in (18cm)
100A	SCN3-100A:333mV-0.7 XP	3.08 in (78cm)	2.37 in (60cm)	1.14 in (29cm)	0.7 in (18cm)	0.7 in (18cm)
200A	SCN4-200A:333mV-1.25 XP	3.27in (83cm)	3.17 in (81cm)	1.39 in (35cm)	1.25 in (32cm)	1.25 in (32cm)
300A	SCN4-300A:333mV-1.25XP	3.27in (83cm)	3.17 in (81cm)	1.39 in (35cm)	1.25 in (32cm)	1.25 in (32cm)



### Contact us

info@powerside.com  
powerside.com



#### Canada

7850 Trans-Canada Highway  
Saint-Laurent (QC) H4T 1A5  
1 (877) 333-8392

#### United States

980 Atlantic Ave  
Alameda (CA) 94501  
1 (888) 736-4347