

# Precise CT Series



## Shielded Split-core Calibrated CTs: For use with your PQube 3, 3r & 3e current inputs

The Shielded Split-Core Current Transformers (CTs) are specially designed to operate with the PQube 3 Power Analyzers. Quick to install (clamp around the conductor & connect to PQube 3 terminals) and safe to operate (low voltage output 333mV), Powerside's precise CT series are the ideal accessories for accurate current and power measurements.

The CTs can be used with all 8 current channels of PQube 3 and PQube 3r, or all 14 current channels of the PQube 3e.

## Features

- Easy and safe installation: just clamp the CT around the conductor
- The precise CT outputs low voltage signals to the PQube®3 terminals
- Very good accuracy, linear response and frequency bandwidth
- UL listed
- Large choice of rated currents 1A to 6000A

## SPECIFICATIONS

Rated Current (Full Scale)	From 1A to 600A ("Snap-top" type) From 800A to 6000A ("Screw-lock" type)
Nominal Output	0.333 Vrms at rated current
Crest Factor	3.5
Fundamental Frequency	50 / 60 / 400 Hz
Accuracy	See table below
Bandwidth	40 Hz to 3000 Hz
Safety	UL recognized (File nb E469208)
Isolation	600V to earth
Environmental	Temperature: -40 °C to +55 °C, Humidity 95% non-condensing Altitude 2000 meters, Pollution Degree 2
Leads	13 ft (4 m) 18 AWG shielded twisted pair black negative (-), red/white positive (+)

## ACCURACY SPECIFICATIONS

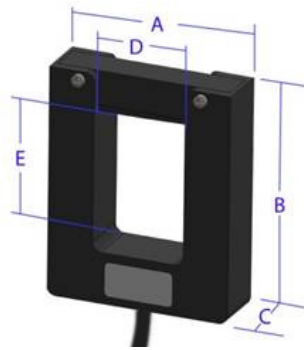
	"Snap-top" Type	"Screw-Lock" Type	Note
<b>Magnitude Accuracy</b> (±X% rdg ±X% FS)	±0.2% (typical)	±0.6% (typical)	At 50/60 Hz, 2.5% FS ~ 100% FS Combined CT and PQube®3 accuracy
<b>Magnitude Accuracy</b>	±0.5° (typical)	±0.5° (typical)	At 50/60 Hz, 10% FS ~ 100% FS Combined CT and PQube®3 accuracy

## ORDER INFORMATION

RATED CURRENT	PART NUMBER PRECISE CT SNAP ON DESIGN	DIMENSIONS				
		A	B	C	D	E
1A	SCN2-1A:333mV-0.4P	2.4 (61mm)	1.65 (42 mm)	1.14 (29 mm)	0.4 (10 mm)	0.4 (10 mm)
5A	SCN3-5A:333mV-0.7P	3 (78 mm)	2.25 (57 mm)	1 (24 mm)	0.7 (18 mm)	0.7 (18 mm)
20A	SCN3-20A:333mV-0.7P	3 (78 mm)	2.25 (57 mm)	1 (24 mm)	0.7 (18 mm)	0.7 (18 mm)
50A	SCN3-50A:333mV-0.7P	3 (78 mm)	2.25 (57 mm)	1 (24 mm)	0.7 (18 mm)	0.7 (18 mm)
100A	SCN3-100A:333mV-0.7P	3 (78 mm)	2.25 (57 mm)	1 (24 mm)	0.7 (18 mm)	0.7 (18 mm)
150A	SCN3-150A:333mV-0.7P	3 (78 mm)	2.25 (57 mm)	1 (24 mm)	0.7 (18 mm)	0.7 (18 mm)
200A	SCN4-200A:333mV-1.25P	3.3 (82 mm)	3 (78 mm)	1 (24 mm)	1.25 (32 mm)	1.25 (32 mm)
300A	SCN4-300A:333mV-1.25P	3.3 (82 mm)	3 (78 mm)	1 (24 mm)	1.25 (32 mm)	1.25 (32 mm)
400A	SCN4-400A:333mV-1.25P	3.3 (82 mm)	3.17 (81 mm)	1.39 (35 mm)	1.25 (32 mm)	1.25 (32 mm)
500A	SCN4-500A:333mV-1.25P	3.3 (82 mm)	3.17 (81 mm)	1.39 (35 mm)	1.25 (32 mm)	1.25 (32 mm)
600A	SCN4-600A:333mV-1.25×2.0 P	3.3 (82 mm)	3.17 (81 mm)	1.39 (35 mm)	1.25 (32 mm)	1.25 (32 mm)

## ORDER INFORMATION

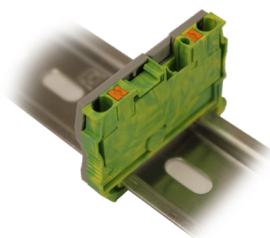
RATED CURRENT	PART NUMBER PRECISE CT SNAP ON DESIGN	DIMENSIONS				
		A	B	C	D	E
800A	SC4L-800A:333mV-2.0x3.0P	4.0 (102 mm)	5.0 (127 mm)	1.2 (31 mm)	2.0 (51 mm)	3.0 (76 mm)
1000A	SC4L-1000A:333mV-2.5x2.5P	5.0 (127 mm)	4.5 (114 mm)	1.3 (33 mm)	2.5 (64 mm)	2.5 (64 mm)
1500A	SC4L-1500A:333mV-2.5x5.5P	5.0 (127 mm)	7.5 (191 mm)	1.3 (33 mm)	2.5 (64 mm)	5.5 (140 mm)
2000A	SC4L-2000A:333mV-4.0x4.0P	6.5 (165 mm)	6.3 (160 mm)	1.3 (33 mm)	4.0 (102 mm)	4.0 (102 mm)
3000A	SC4L-3000A:333mV-4.0x6.0P	6.8 (173 mm)	8.5 (216 mm)	1.5 (38 mm)	4.0 (102 mm)	6.0 (152 mm)
4000A	SC4L-4000A:333mV-4.0x6.0P	6.8 (173 mm)	8.5 (216 mm)	1.5 (38 mm)	4.0 (102 mm)	6.0 (152 mm)
5000A	SC4L-5000A:333mV-4.0x7.0P	8.0 (203 mm)	9.0 (229 mm)	1.8 (46 mm)	4.0 (102 mm)	7.0 (178 mm)
6000A	SC4L-6000A:333mV-5.0x7.0P	8.5 (216 mm)	9.0 (229 mm)	2.0 (51 mm)	5.0 (127 mm)	7.0 (178 mm)



## ACCESSORIES

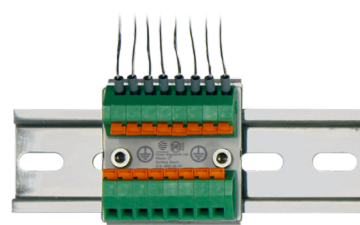
### 2 POS Terminal Block

Part Number: TB-GND-6.2mm-00



### 16 POS Terminal Block

Part Number: SWG-16-00



## Contact us

info@powerside.com  
powerside.com



### Canada

7850 Trans-Canada Highway  
Saint-Laurent (QC) H4T 1A5  
1 (877) 333-8392

### United States

980 Atlantic Ave  
Alameda (CA) 94501  
1 (888) 736-4347